



DATA SHEET


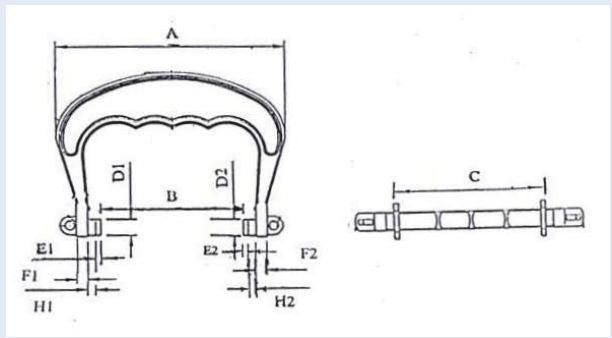
for 199/45R HANDLE

Going Well Precision Industry Co., Ltd.

Going Well. Going Fair. Going Far.

DATE: SEPTEMBER 03, 2007

46 Fu-Sing Road
 Lujhu Township, Kaohsiung County 82147
 Taiwan (R. O. C.)
 Phone: +886.7.696.4205 Fax: +886.7.697.5702
 Website: www.gwpi.com.tw Email: info@gwpi.com.tw

199/45R HANDLE				SPOOL ACCESSORY			
	Nominal Copper Weight		N/A				
	Wire Size Range		N/A				
	AWG Range		N/A				
	Weight		25 g				
	Material		ABS				
	Color		Black				
DIMENSIONS AND TOLERANCES (in mm)							
	D1 / D2	E1 / E2	F1 / F2	A	B	C	H1 / H2
Dimensions	8.8	2.3	6	120.6	75.4	80	4.3
Tolerances	±0.2	±0.2	±0.3	±0.5	±0.5	±0.5	±0.2
	PACKAGING						
	Carton Dimensions (in cm)		44.6 X 36.6 X 63				
	# per Carton		600				
	# per 20' CY Container		162,000				
	# per 40' HQ Container		384,000				

Remarks:

1. Samples are available upon request.

THANK YOU FOR YOUR BUSINESS!